



# FyreGuard® 3

**ZERO-CLEARANCE  
GREASE DUCT**

DELIVERING THE CERTAINTY  
OF ZERO-LEAK PERFORMANCE  
ALONG WITH 3" OF INSULATION



# FyreGuard® 3

## ZERO-CLEARANCE GREASE DUCT

**THE FyreGuard® 3 GREASE DUCT, WITH ZERO CLEARANCE TO COMBUSTIBLES, ELIMINATES THE NEED FOR A FIRE-RATED CHASE.**

FyreGuard® 3 brings a new level of fire safety protection to food service applications. From restaurants to sports arenas, and other locations that require the ventilation of cooking/grilling fumes and particulates, FyreGuard® 3 systems provide trouble-free installation, fast project completion and upgraded security.

---

### LISTING

The Schebler FyreGuard® 3 (FG3) grease duct system is ETL listed to (UL) 2221 Classification as a **zero clearance** to combustibles, 2-hour fire-rated grease duct.

---

### SYSTEM CONCEPT

- Prefabricated, modular, double-wall system
- 3-inches of insulation (11 lbs. per sq. in.) with **zero clearance** to combustibles
- Easy-to-handle section lengths connected with the RapidLock® Connection System

---

### SURROUNDINGS

- Suitable for Type 1 or 2 grease hoods, installed per instructions
- May be enclosed with combustible construction
- The enclosed system may be adjacent to walls of combustible construction at **zero clearance**, per the UL 2221 Classification

---

### COMPLETE LINE OF FITTINGS AND SIZES AVAILABLE

- Even/odd diameters from 5" to 24" standard
- Standard components: straight sections, variable length joints, tees, elbows, cleanouts, rain caps, roof penetration components, support members
- Special order components: virtually any custom fittings

---

### MATERIAL AVAILABLE

The FyreGuard® 3 system is available in a variety of materials allowing the proper material selection for your specific application. The standard product features a 304 stainless steel liner and 430 stainless steel outer shell. For greater corrosion resistance, 316 stainless steel is available for the liner and 304 or 316 stainless steel for the outer shell.

---

### MATERIAL THICKNESS

The standard 304 stainless steel inner shell thickness is 0.036". The Standard 430 stainless steel outer shell thickness is 0.028".

---

## SUPPORT LIMITS

Support plates and wall supports are utilized to support the weight of the chimney and to provide a fixed point to allow proper operation of expansion joints. In horizontal runs, supports should be placed adjacent to fittings that are not otherwise supported. See the individual part description for allowable support charts.

---

## TESTS PERFORMED

The FyreGuard® 3 system has endured rigorous tests to obtain the listing. The tests performed include:

### STRUCTURAL TESTS

The support plates and wall supports have been physically tested to carry a load four times the amount allowed by our listing.

### WIND LOAD TESTS

Loads equivalent to a 110-mph wind have been applied to the chimney with acceptable results.

### ZERO CLEARANCE TO COMBUSTIBLES

The system has been subjected to a series of burn tests at temperatures up to 2,000°F. The purpose of these tests is to determine **zero clearances** from the system's outer shell to combustible materials.

### FIRE BARRIER

The system and fire stop have been subjected to temperatures up to 2,000°F to ensure the structural integrity of the system and effectiveness of the fire stop in preventing fire passage to multiple floors of a building's structure.

---

## SCHEBLER VALUE

### FAST PROJECT COMPLETION

- Trouble-free installation/detailed instructions
- No on-site welding

### MAXIMUM STRENGTH/LONG LIFE

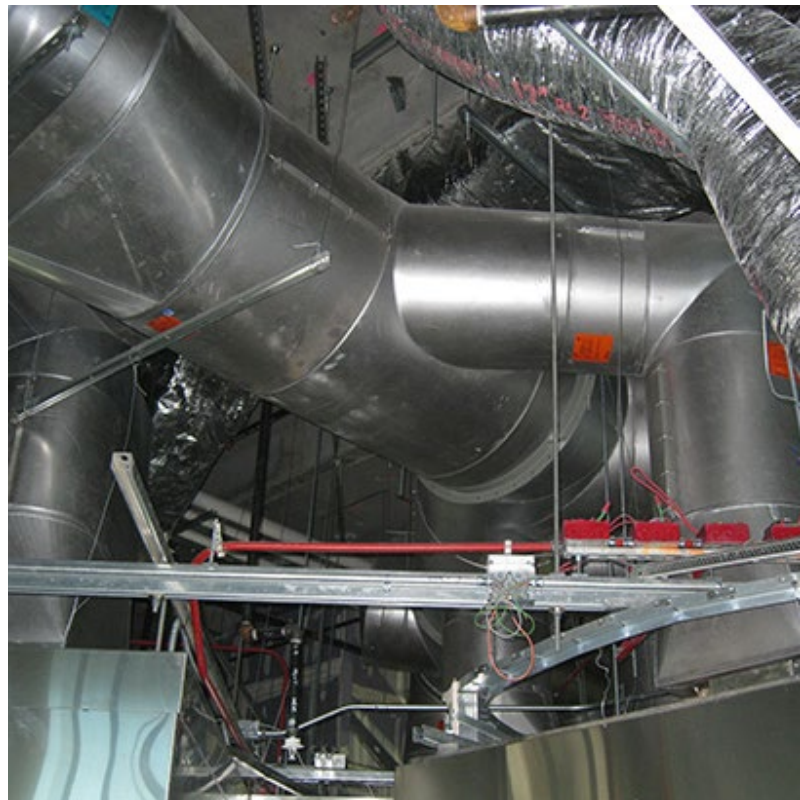
- Unmatched dimensional accuracy for secure joint connections
- Fully welded liners and shells
- Unequaled support limits

### COMPLETE SYSTEM DESIGN

- CAD drawings
- 3D design solutions
- Complete BOM
- System sizing

### SPECIAL FITTINGS

- Customized components are available to meet the needs of your specific project



## PART NUMBERS

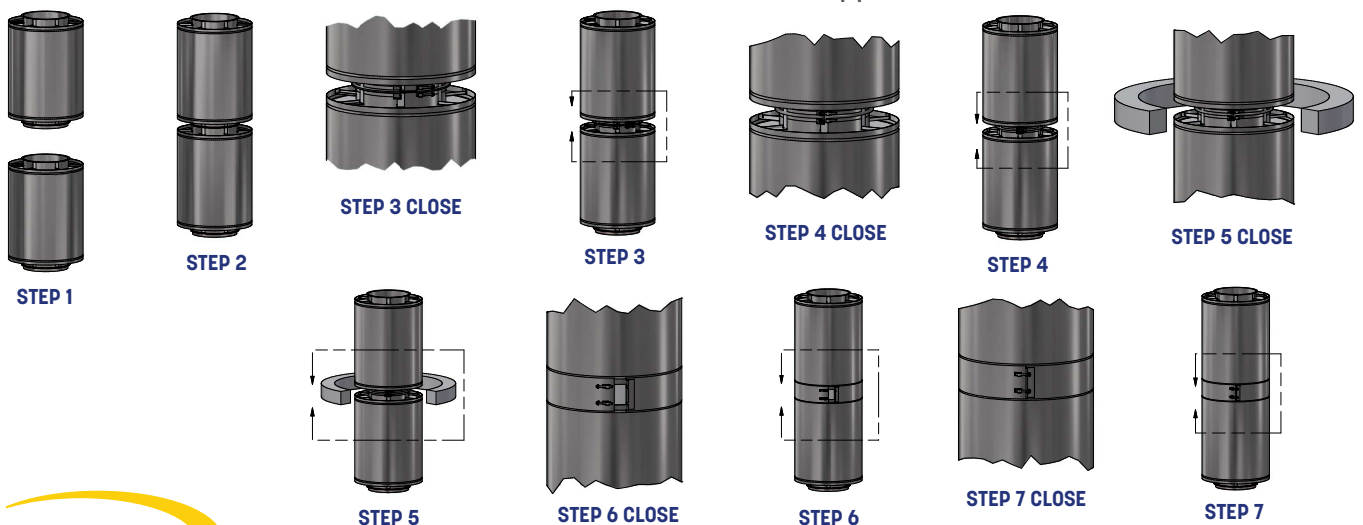
All standard parts manufactured by Schebler are identified by a part number that describes their makeup and function.

The part numbers are made up as follows:

1. The first series is the model designation, FG3.
2. This is followed by the part name. For example, 47S, 90T or VS.
3. Next is the part's internal diameter in inches, such as 06, 12 or 24.
4. Last is the liner/shell material designation.

CODE	LINER / SHELL MATERIAL
A	304 / Aluminized
B	316 / Aluminized
C	304 / 304 or all 304
D	304 / 316
E	316 / 316 or all 316
F	Galvanized
G	Aluminized
H	Painted Carbon Steel
N	304 / 430
P	316 / 430
Q	430
S	316 / 304

For example, the part number for an 8" ID, Model FG3, 47" long straight section with a 304 stainless steel liner and 430 stainless steel shell is: FG3-47S-08N.



## JOINT ASSEMBLY

**Note:** Wipe the inner bands and flanges clean prior to assembly.

Steps:

1. Insert the component with the gasket and internal collar into the previously installed component.
2. Align the flanges so they are flush to one another.
3. Affix the inner band to the flange, pulling the band tight to allow the bolts to slot into the clip of the band.
4. Once slotted, tighten the bolts using a 3/8" nut driver to tighten the inner band around the flanges of the pipe. Use a rubber or rawhide mallet to assist in drawing the band together as the bolts are tightened.
5. Install the insulation strip over the inner band connection.
6. Affix the outer band to the outer bead, pulling the band tight to allow the bolts to slot into the clip of the band.
7. Once slotted, tighten the bolts using a 3/8" nut driver to tighten the outer band around the outer beads of the pipe.

**NOTE:** For outdoor installations, apply a bead of high-temperature sealant in the groove at the upper end of the outer band.

# SYSTEM COMPONENTS

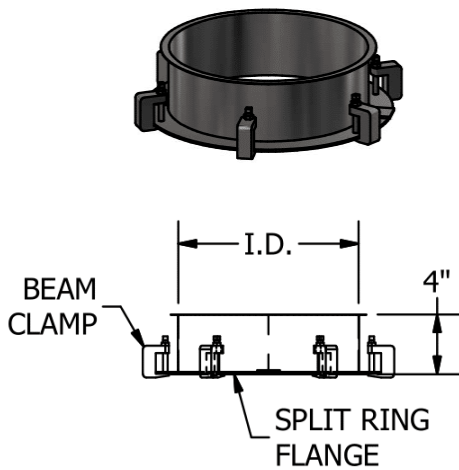
CUSTOM DIMENSIONS ARE AVAILABLE TO SUIT YOUR NEEDS IN EVEN AND ODD SIZES.

## ADAPTER KIT (FLANGED)

### PART NO. BKF

The Adapter Kit (Flanged) is used for securing a pipe to a flanged appliance outlet. Beam clamps are provided to connect the flanges, or the flange can be drilled in the field to match the appliance.

Includes one inner band and one seal ring to cover the gap between the inner and outer shells.

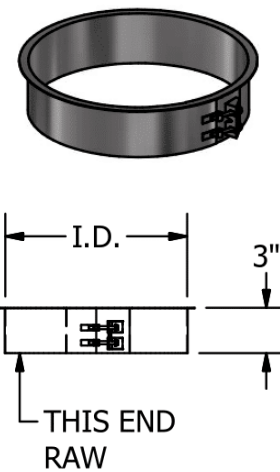


## ADAPTER KIT (RAW)

### PART NO. BKR

The Adapter Kit (Raw) is used for securing the pipe to an unflanged appliance outlet.

Includes one inner band and one seal ring to cover the gap between the inner and outer shells.



PART NO. BKF	
I.D.	CLAMPS
6"	3
8"	4
10"	5
12"	6
14"	7
16"	8
18"	9
20"	10
22"	11
24"	12

PART NO. BKR	
I.D.	
6"	
8"	
10"	
12"	
14"	
16"	
18"	
20"	
22"	
24"	

# SYSTEM COMPONENTS

CUSTOM DIMENSIONS ARE AVAILABLE TO SUIT YOUR NEEDS IN EVEN AND ODD SIZES.

## STRAIGHT SECTION

### PART NO. 18S, 29S, 47S AND 59S

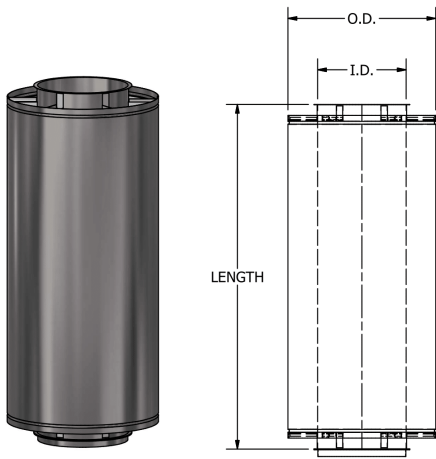
Standard lengths are as follows:

Diameters 5" to 7" are 18", 29" and 47"

Diameters 8" to 24" are 18", 29", 47" and 59"

Custom parts can be manufactured to any length over 8".

Includes one inner band, one outer band and one preinstalled gasket.

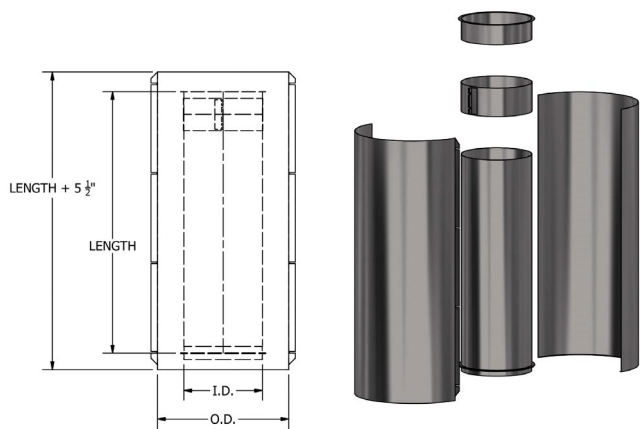


## VARIABLE LENGTH SECTION

### PART NO. 18VS, 29VS AND VS

The Variable Section adjusts to provide a fixed odd length between two sections. The minimum length is 5", the maximum is 18", 29" or 40". This part does not provide for thermal expansion.

Includes a liner, shell, slip joint and one inner band.



PART NO. 18S / 29S / 47S / 59S	
I.D.	O.D.
6"	12"
8"	14"
10"	16"
12"	18"
14"	20"
16"	22"
18"	24"
20"	26"
22"	28"
24"	30"

PART NO. 18VS / 29VS / VS	
I.D.	O.D.
6"	12"
8"	14"
10"	16"
12"	18"
14"	20"
16"	22"
18"	24"
20"	26"
22"	28"
24"	30"

# SYSTEM COMPONENTS

CUSTOM DIMENSIONS ARE AVAILABLE TO SUIT YOUR NEEDS IN EVEN AND ODD SIZES.

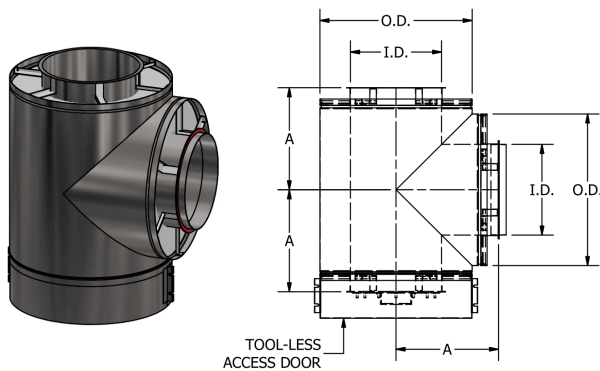
## 90° GREASE TEE

### PART NO. GT

The Grease Tee is a combination of a 90° Tee and a Tool-less Access Door, used to provide access into a grease duct system. The access door is located on one side of the main, while the internal flange collar is located on the branch. A circular dam is provided to prevent grease from running out of the duct when the cap is removed.

Includes two inner bands, two outer bands and one preinstalled gasket.

Note: When ordering, specify if the dam is in the main or tap.



PART NO. GT	
I.D.	A
6"	9"
8"	10"
10"	11"
12"	12"
14"	13"
16"	14"
18"	15"
20"	16"
22"	17"
24"	18"

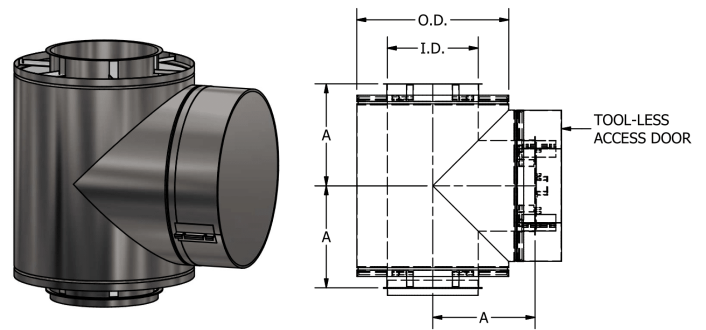
## 90° GREASE TEE (Branch)

### PART NO. GTB

The Grease Tee (Branch) is a combination of a 90° Tee and a Tool-less Access Door, used to provide access into a grease duct system. The access door is located on the branch, while the internal flange collar is located on one side of the main. A circular dam is provided to prevent grease from running out of the duct when the cap is removed.

Includes two inner bands, two outer bands and one preinstalled gasket.

Note: When ordering, specify if the dam is in the main or tap.



PART NO. GTB	
I.D.	A
6"	9"
8"	10"
10"	11"
12"	12"
14"	13"
16"	14"
18"	15"
20"	16"
22"	17"
24"	18"

# SYSTEM COMPONENTS

CUSTOM DIMENSIONS ARE AVAILABLE TO SUIT YOUR NEEDS IN EVEN AND ODD SIZES.

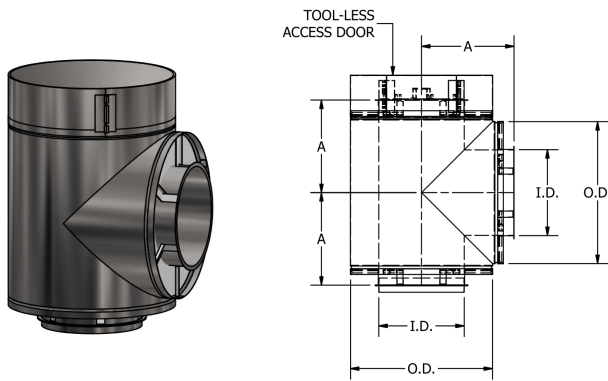
## 90° GREASE TEE (Main)

### PART NO. GTM

The Grease Tee (Main) is a combination of a 90° Tee and a Tool-less Access Door, used to provide access into a grease duct system. The access door is located on one side of the main, with the internal flange collar on the other. A circular dam is provided to prevent grease from running out of the duct when the cap is removed.

Includes two inner bands, two outer bands and one preinstalled gasket.

Note: When ordering, specify if the dam is in the main or tap.



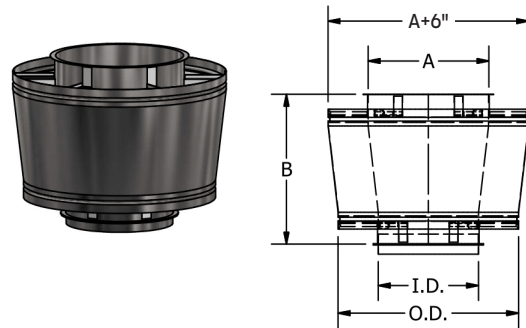
PART NO. GTM	
I.D.	A
6"	9"
8"	10"
10"	11"
12"	12"
14"	13"
16"	14"
18"	15"
20"	16"
22"	17"
24"	18"

## TAPERED INCREASER

### PART NO. TI

The Tapered Increaser is used when a change in pipe diameter is required.

Includes one preinstalled gasket, one inner band and one outer band of both smaller and larger sizes.



PART NO. TI								
I.D.	A	B	A	B	A	B	A	B
6"	8"	15"	10"	18"	12"	21"	14"	24"
8"	10"	15"	12"	18"	14"	21"	16"	24"
10"	12"	15"	14"	18"	16"	21"	18"	24"
12"	14"	15"	16"	18"	18"	21"	20"	24"
14"	16"	15"	18"	18"	20"	21"	22"	24"
16"	18"	15"	20"	18"	22"	21"	24"	24"
18"	20"	15"	22"	18"	24"	21"	-	-
20"	22"	15"	24"	18"	-	-	-	-
22"	24"	15"	-	-	-	-	-	-

Available in odd sizes.  
Call for odd diameter taper increaser information.

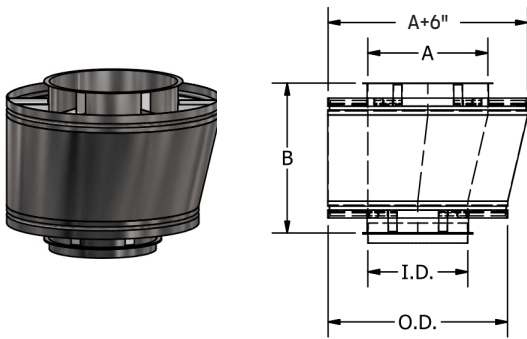
# SYSTEM COMPONENTS

CUSTOM DIMENSIONS ARE AVAILABLE TO SUIT YOUR NEEDS IN EVEN AND ODD SIZES.

## ECCENTRIC TAPERED INCREASER PART NO. ETI

The Eccentric Tapered In increaser is used when a change in pipe diameter is required and maintains an eccentric profile when it is necessary for the pipe to be flat on one side.

Includes one preinstalled gasket, one inner band and one outer band of both smaller and larger sizes.



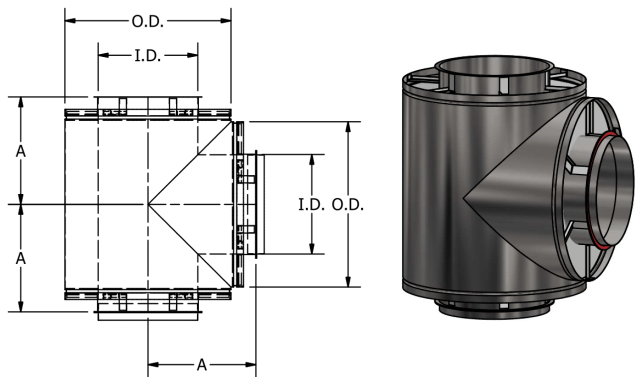
PART NO. ETI									
I.D.	A	B	A	B	A	B	A	B	
6"	8"	15"	10"	18"	12"	21"	14"	24"	
8"	10"	15"	12"	18"	14"	21"	16"	24"	
10"	12"	15"	14"	18"	16"	21"	18"	24"	
12"	14"	15"	16"	18"	18"	21"	20"	24"	
14"	16"	15"	18"	18"	20"	21"	22"	24"	
16"	18"	15"	20"	18"	22"	21"	24"	24"	
18"	20"	15"	22"	18"	24"	21"	-	-	
20"	22"	15"	24"	18"	-	-	-	-	
22"	24"	15"	-	-	-	-	-	-	

Available in odd sizes.  
Call for odd diameter taper increaser information.

## 90° TEE PART NO. 90T

The 90° Tee is used to join horizontal and vertical sections, as well as to provide for the connection of drain or inspection fittings. Use either the drain tee cap or the end cap for closure of the unused opening.

Includes two preinstalled gaskets, two inner bands and two outer bands.



PART NO. 90T	
I.D.	A
6"	9"
8"	10"
10"	11"
12"	12"
14"	13"
16"	14"
18"	15"
20"	16"
22"	17"
24"	18"

# SYSTEM COMPONENTS

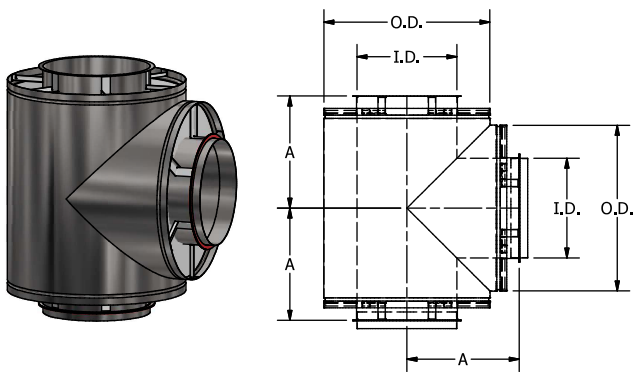
CUSTOM DIMENSIONS ARE AVAILABLE TO SUIT YOUR NEEDS IN EVEN AND ODD SIZES.

## ORIGINAL 90° TEE

### PART NO. 090T

The Original 90° Tee is used to join horizontal and vertical sections, as well as to provide for the connection of drain or inspection fittings. Use either the drain tee cap or the end cap for closure of the unused opening.

Includes one preinstalled gasket, one inner band and one outer band.



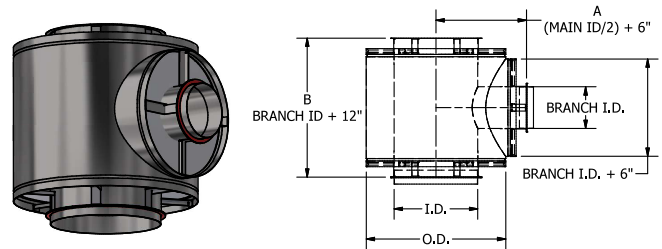
PART NO. 090T	
I.D.	A
6"	10 1/2"
8"	11 1/2"
10"	12 1/2"
12"	13 1/2"
14"	14 1/2"
16"	15 1/2"
18"	16 1/2"
20"	17 1/2"
22"	18 1/2"
24"	19 1/2"

## REDUCING 90° TEE

### PART NO. R90T

The Reducing 90° Tee is used to join horizontal and vertical sections of different sizes, as well as to provide for the connection of drain or inspection fittings. Use either the drain tee cap or the end cap for closure of the unused opening. Specify the size of branch required.

Includes one preinstalled gasket, one inner band and one outer band for larger and smaller openings.



PART NO. R90T			
MAIN I.D.	A	BRANCH I.D.	B
6"	9"	5"	11"
7"	9 1/2"	6"	12"
8"	10"	7"	13"
9"	10 1/2"	8"	14"
10"	11"	9"	15"
11"	11 1/2"	10"	16"
12"	12"	11"	17"
13"	12 1/2"	12"	18"
14"	13"	13"	19"
15"	13 1/2"	14"	20"
16"	14"	15"	21"
17"	14 1/2"	16"	22"
18"	15"	17"	23"
19"	15 1/2"	18"	24"
20"	16"	19"	25"
21"	16 1/2"	20"	26"
22"	17"	21"	27"
23"	17 1/2"	22"	28"
24"	18"	23"	29"

# SYSTEM COMPONENTS

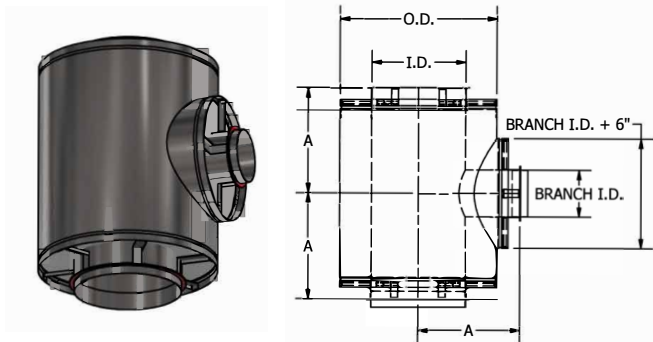
CUSTOM DIMENSIONS ARE AVAILABLE TO SUIT YOUR NEEDS IN EVEN AND ODD SIZES.

## ORIGINAL REDUCING 90° TEE

### PART NO. OR90T

The Original Reducing 90° Tee is used to join horizontal and vertical sections of different sizes, as well as to provide for the connection of drain or inspection fittings. Use either the drain tee cap or the end cap for closure of the unused opening. Specify the size of the branch required.

Includes one preinstalled gasket, one inner band and one outer band for larger and smaller openings.

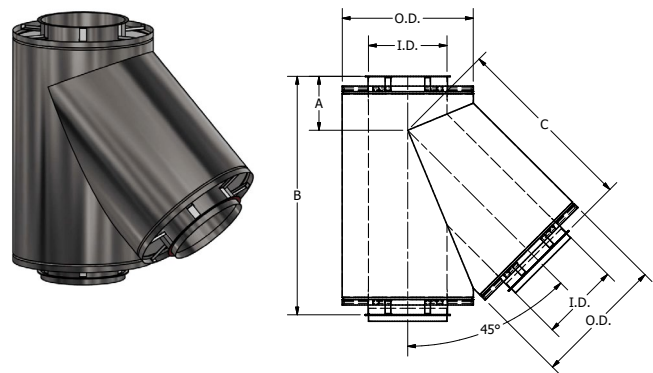


## 45° LATERAL TEE

### PART NO. 45LT

The 45° Lateral Tee is used for low flow resistance entry into a stack or breeching.

Includes two preinstalled gaskets, two inner bands and two outer bands.



### PART NO. OR90T

I.D.	A
6"	10 1/2"
8"	11 1/2"
10"	12 1/2"
12"	13 1/2"
14"	14 1/2"
16"	15 1/2"
18"	16 1/2"
20"	17 1/2"
22"	18 1/2"
24"	19 1/2"

### PART NO. 45LT

I.D.	A	B	C
6"	7"	26"	19"
8"	7 3/8"	28 3/4"	21 3/8"
10"	7 3/4"	31 1/2"	23 3/4"
12"	8 1/4"	34 1/2"	26 1/4"
14"	8 5/8"	37 1/4"	28 5/8"
16"	9 1/16"	40 1/8"	31 1/16"
18"	9 1/2"	43"	33 1/2"
20"	9 7/8"	45 3/4"	35 7/8"
22"	10 5/16"	48 5/8"	38 5/16"
24"	10 3/4"	51 1/2"	40 3/4"

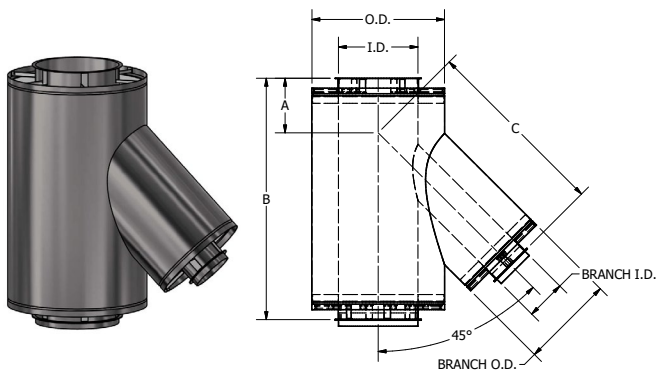
# SYSTEM COMPONENTS

CUSTOM DIMENSIONS ARE AVAILABLE TO SUIT YOUR NEEDS IN EVEN AND ODD SIZES.

## REDUCING 45° LATERAL TEE PART NO. R45LT

The Reducing 45° Lateral Tee is used for low flow resistance entry into a stack or breeching when the stack or breeching is a larger size. Specify the size of branch required.

Includes one preinstalled gasket, one inner band and one outer band for larger and smaller openings.

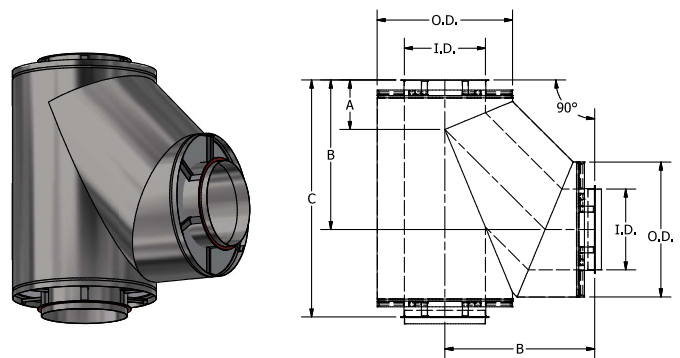


PART NO. R45LT			
I.D.	A	B	C
6"	7"	26"	19"
8"	7 3/8"	28 3/4"	21 3/8"
10"	7 3/4"	31 1/2"	23 3/4"
12"	8 1/4"	34 1/2"	26 1/4"
14"	8 5/8"	37 1/4"	28 5/8"
16"	9 1/16"	40 1/8"	31 1/16"
18"	9 1/2"	43"	33 1/2"
20"	9 7/8"	45 3/4"	35 7/8"
22"	10 5/16"	48 5/8"	38 5/16"
24"	10 3/4"	51 1/2"	40 3/4"

## 90° LATERAL TEE PART NO. 90LT

The 90° Lateral Tee is used to join horizontal and vertical sections with lower resistance, as well as to provide for the connection of drain or inspection fittings. Use either the drain tee cap or the end cap for closure of the unused opening.

Includes two preinstalled gaskets, two inner bands and two outer bands



PART NO. 90LT			
I.D.	A	B	C
6"	5 11/16"	14 7/8"	23 7/8"
8"	6 1/16"	16 11/16"	26 11/16"
10"	6 1/2"	18 1/2"	29 1/2"
12"	6 15/16"	20 3/8"	32 5/16"
14"	7 5/16"	22 3/16"	35 3/16"
16"	7 3/4"	24"	38"
18"	8 3/16"	25 13/16"	40 13/16"
20"	8 9/16"	27 11/16"	43 5/8"
22"	9"	29 1/2"	46 1/2"
24"	9 3/8"	31 5/16"	49 5/16"

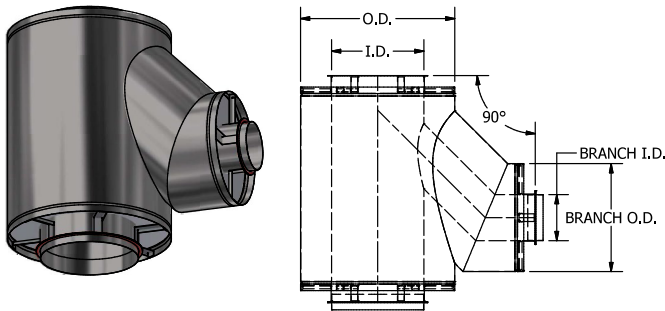
# SYSTEM COMPONENTS

CUSTOM DIMENSIONS ARE AVAILABLE TO SUIT YOUR NEEDS IN EVEN AND ODD SIZES.

## REDUCING 90° LATERAL TEE PART NO. R90LT

The Reducing 90° Lateral Tee is used to join horizontal and vertical sections of different sizes with lower resistance, as well as to provide for the connection of drain or inspection fittings. Use either the drain tee cap or the end cap for closure of the unused opening. Specify the size of branch required.

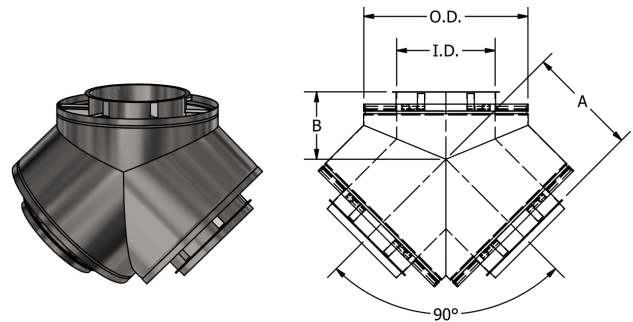
Includes one preinstalled gasket, one inner band and one outer band for larger and smaller openings.



## 90° WYE PART NO. 90Y

The 90° Wye is used for joining runs where low flow resistance is desired. All openings must be the same size. For connections to smaller diameter sections, use the tapered increaser in conjunction with the 90° Wye.

Includes two preinstalled gaskets, two inner bands and two outer bands.



PART NO. 90Y		
I.D.	A	B
6"	10 1/2"	7"
8"	11 1/2"	7 13/32"
10"	12 1/2"	7 13/16"
12"	13 1/2"	8 7/32"
14"	14 1/2"	8 5/8"
16"	15 1/2"	9 1/16"
18"	16 1/2"	9 7/16"
20"	17 1/2"	9 7/8"
22"	18 1/2"	10 9/32"
24"	19 1/2"	10 23/32"

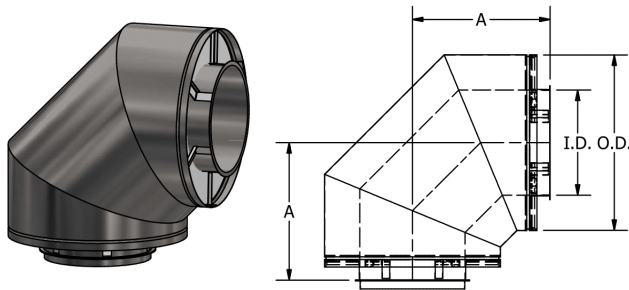
# SYSTEM COMPONENTS

CUSTOM DIMENSIONS ARE AVAILABLE TO SUIT YOUR NEEDS IN EVEN AND ODD SIZES.

## 90° ELBOW PART NO. 90L

The 90° Elbow is used when making a 90° directional change.

Includes one preinstalled gasket, one inner band and one outer band.



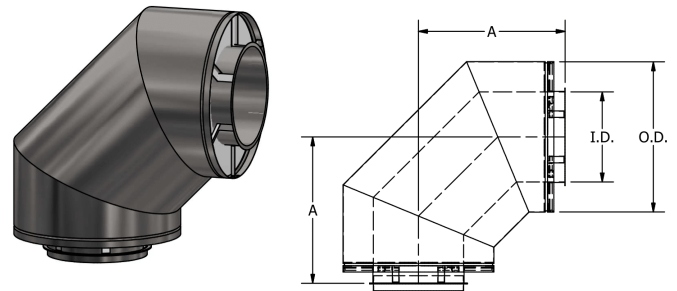
PART NO. 90L	
I.D.	A
6"	11 7/16"
8"	12 11/16"
10"	13 7/8"
12"	15 1/16"
14"	15 11/16"
16"	16 7/8"
18"	17 1/2"
20"	18 11/16"
22"	19 15/16"
24"	20"

## ORIGINAL 90° ELBOW PART NO. 090L

The Original 90° Elbow is used when making a 90° directional change.

Includes one preinstalled gasket, one inner band and one outer band.

Note: The Original 90° Elbow is a long sweep/large radius elbow compared to the 90° Elbow.



PART NO. 090L	
I.D.	A
6"	13 1/2"
8"	14 1/2"
10"	15 1/2"
12"	16 1/2"
14"	17 1/2"
16"	18 1/2"
18"	19 1/2"
20"	27 1/2"
22"	29 1/2"
24"	31 1/2"

# SYSTEM COMPONENTS

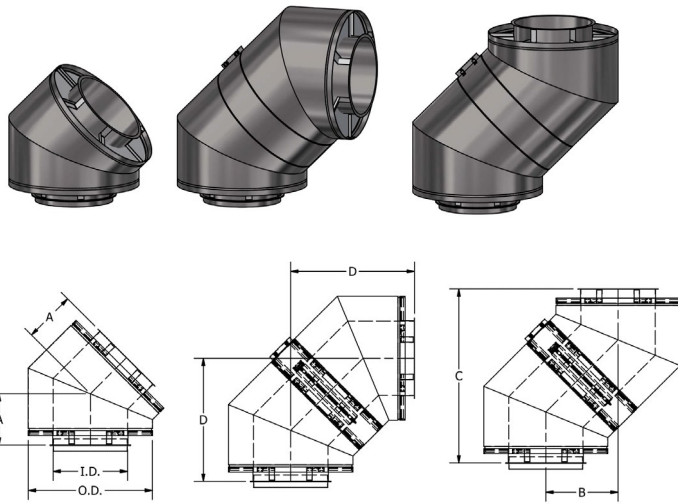
CUSTOM DIMENSIONS ARE AVAILABLE TO SUIT YOUR NEEDS IN EVEN AND ODD SIZES.

## 45° ELBOW

### PART NO. 45L

The 45° Elbow is used when a vertical or horizontal direction change of 45° is required.

Includes one preinstalled gasket, one inner band and one outer band.



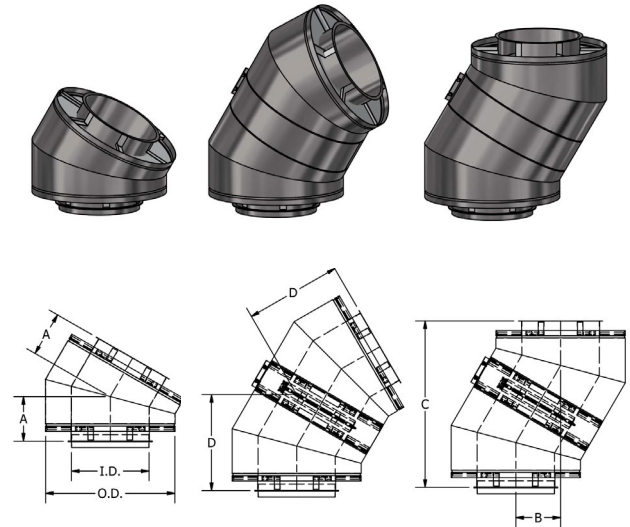
PART NO. 45L				
I.D.	A	B	C	D
6"	7"	9 29/32"	23 29/32"	16 29/32"
8"	7 3/8"	10 7/16"	25 3/16"	17 13/16"
10"	7 3/16"	11 3/64"	26 43/64"	18 55/64"
12"	8 1/4"	11 43/64"	28 11/64"	19 59/64"
14"	8 5/8"	12 13/64"	29 29/64"	20 53/64"
16"	9 1/16"	12 13/16"	30 15/16"	21 7/8"
18"	9 1/2"	13 7/16"	32 7/16"	22 15/16"
20"	9 7/8"	13 31/32"	33 23/32"	23 27/32"
22"	10 5/16"	14 37/64"	35 13/64"	24 57/64"
24"	10 3/4"	15 13/64"	36 45/64"	25 61/64"

## 30° ELBOW

### PART NO. 30L

The 30° Elbow is used when a vertical or horizontal direction change of 30° is required.

Includes one preinstalled gasket, one inner band and one outer band.



PART NO. 30L				
I.D.	A	B	C	D
6"	6 1/8"	6 1/8"	22 55/65"	13 13/64"
8"	6 3/8"	6 3/8"	23 51/64"	13 47/64"
10"	6 5/8"	6 5/8"	24 23/32"	14 9/32"
12"	6 15/16"	6 15/16"	25 57/64"	14 61/64"
14"	7 3/16"	7 3/16"	26 53/64"	15 31/64"
16"	7 7/16"	7 7/16"	27 3/4"	16 1/32"
18"	7 3/4"	7 3/4"	28 59/64"	16 45/64"
20"	8"	8"	29 55/64"	17 15/64"
22"	8 1/4"	8 1/4"	30 51/64"	17 23/32"
24"	8 1/2"	8 1/2"	31 23/32"	18 5/16"

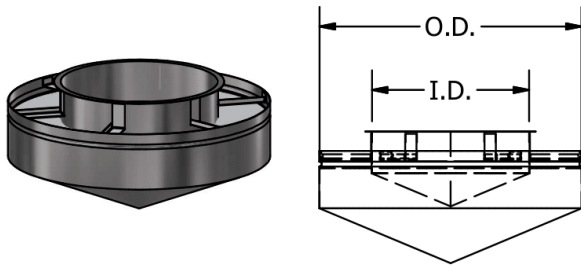
# SYSTEM COMPONENTS

CUSTOM DIMENSIONS ARE AVAILABLE TO SUIT YOUR NEEDS IN EVEN AND ODD SIZES.

## END CAP PART NO. EC

The End Cap is used to close an unused tee opening and to provide a means of accessing the interior of the system for inspection and cleaning.

Includes one inner band.

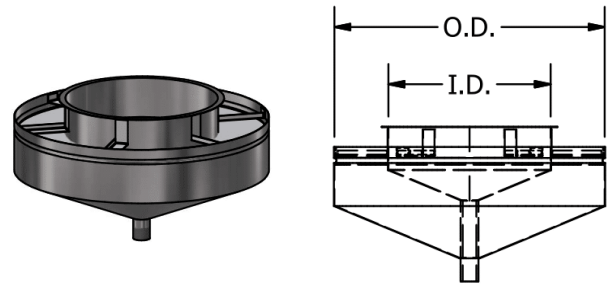


PART NO. EC	
I.D.	O.D.
6"	12"
8"	14"
10"	16"
12"	18"
14"	20"
16"	22"
18"	24"
20"	26"
22"	28"
24"	30"

## DRAIN TEE CAP PART NO. DTC

The Drain Tee Cap is used to close an unused tee opening and to provide a drain at the base of a vertical chimney.

Includes one inner band.



PART NO. DTC	
I.D.	O.D.
6"	12"
8"	14"
10"	16"
12"	18"
14"	20"
16"	22"
18"	24"
20"	26"
22"	28"
24"	30"

# SYSTEM COMPONENTS

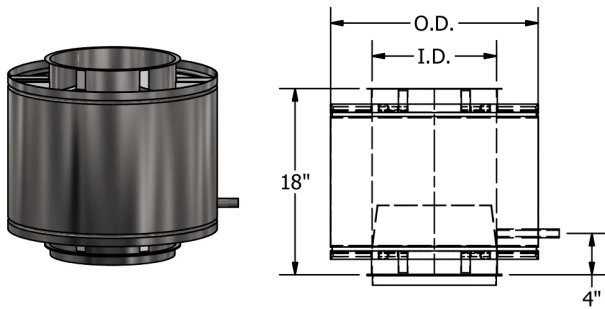
CUSTOM DIMENSIONS ARE AVAILABLE TO SUIT YOUR NEEDS IN EVEN AND ODD SIZES.

## DRAIN SECTION

### PART NO. DS

The Drain Section is used to drain rainwater and condensation from within the stack. The NPT nipple should be connected to a suitable drain.

Includes one preinstalled gasket, one inner band and one outer band.

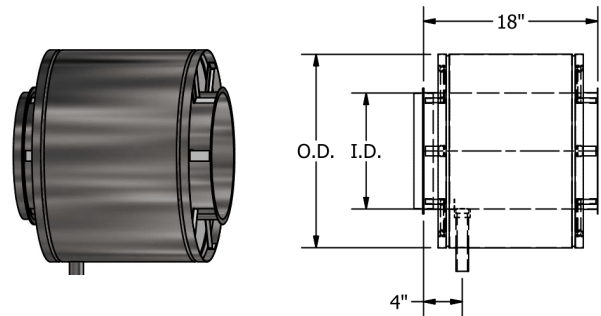


## HORIZONTAL DRAIN

### PART NO. HD

The Horizontal Drain is used to drain rainwater and condensation from within the stack. The NPT nipple should be connected to a suitable drain.

Includes one preinstalled gasket, one inner band and one outer band.



PART NO. DS	
I.D.	O.D.
6"	12"
8"	14"
10"	16"
12"	18"
14"	20"
16"	22"
18"	24"
20"	26"
22"	28"
24"	30"

PART NO. HD	
I.D.	O.D.
6"	12"
8"	14"
10"	16"
12"	18"
14"	20"
16"	22"
18"	24"
20"	26"
22"	28"
24"	30"

# SYSTEM COMPONENTS

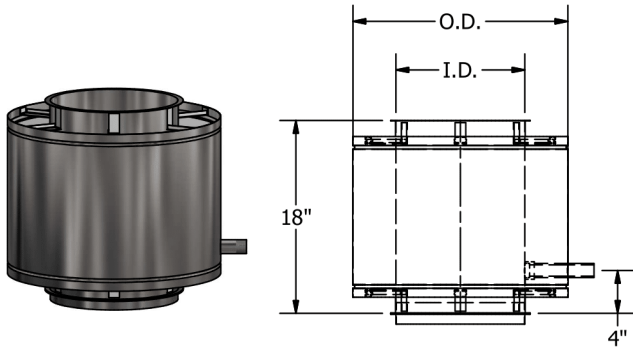
CUSTOM DIMENSIONS ARE AVAILABLE TO SUIT YOUR NEEDS IN EVEN AND ODD SIZES.

## NOZZLE SECTION

### PART NO. NS

The Nozzle Section is used to attach plumbing equipment to grease ducts.

Includes one preinstalled gasket, one inner band and one outer band.

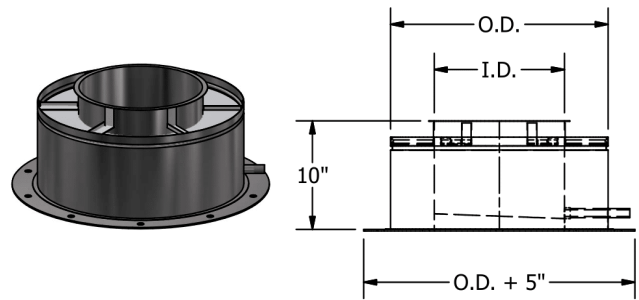


## BASE DRAIN SECTION

### PART NO. BD

The Base Drain Section provides a bottom closure and drain attachment for base-supported chimneys. The NPT nipple should be connected to a suitable drain.

Includes one inner band and one outer band.



PART NO. NS	
I.D.	O.D.
6"	12"
8"	14"
10"	16"
12"	18"
14"	20"
16"	22"
18"	24"
20"	26"
22"	28"
24"	30"

PART NO. BD	
I.D.	O.D.
6"	12"
8"	14"
10"	16"
12"	18"
14"	20"
16"	22"
18"	24"
20"	26"
22"	28"
24"	30"

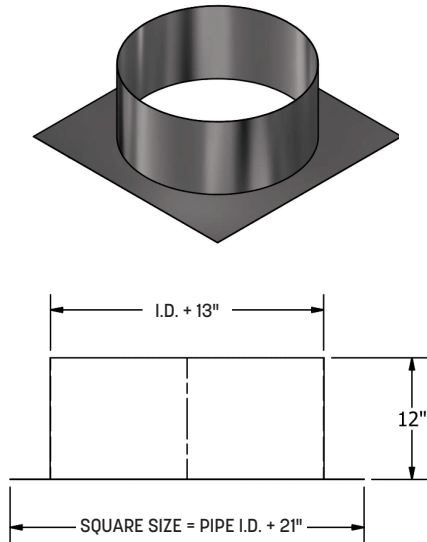
# SYSTEM COMPONENTS

CUSTOM DIMENSIONS ARE AVAILABLE TO SUIT YOUR NEEDS IN EVEN AND ODD SIZES.

## FLASHING

### PART NO. FL

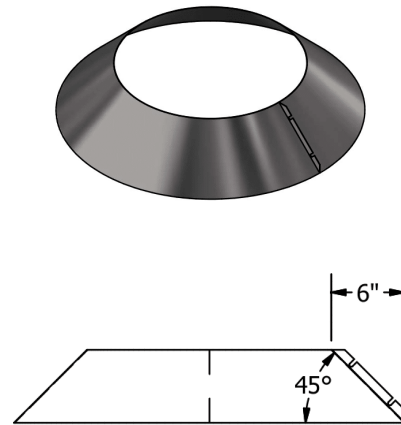
The Flashing is used in conjunction with the rain collar to seal roof penetrations. This part is designed for flat roofs. Custom-pitched flashings are available upon request.



## RAIN COLLAR

### PART NO. RC

The Rain Collar is used in conjunction with the flashing to seal roof penetrations.

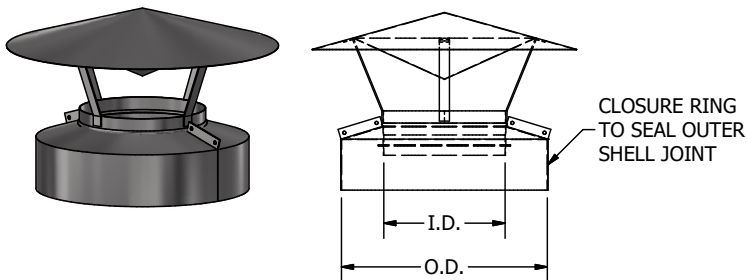


## RAIN CAP

### PART NO. CC

The Rain Cap is used at stack terminations to prevent water from entering the flue. A drain should be used at the base of stacks to drain water that may be blown into the flue.

Includes one preinstalled gasket, one inner band and one closure ring to seal the outer shell joint.



# SYSTEM COMPONENTS

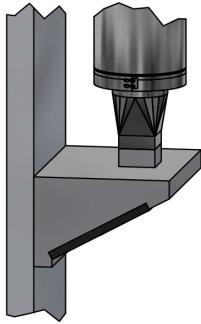
CUSTOM DIMENSIONS ARE AVAILABLE TO SUIT YOUR NEEDS IN EVEN AND ODD SIZES.

## HOOD TRANSITIONS

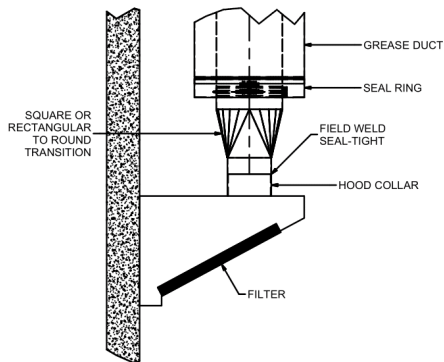
The transition between the grease hood or listed ventilator and the Schebler duct is made using a transition constructed of 20-gauge or heavier stainless steel. The transition can be single-wall or double-wall, air or ceramic fiber insulated. The transition should be attached to the hood with a liquid-tight weld or by the bolt method described in NFPA 96 or IMC 2000.

If the transition is manufactured by others, Schebler can supply a boiler kit (part no. BKF) with a single or double flange for welding to the top of the transition.

**Note: Hood transitions are to be coordinated with the design team to meet the project's unique needs.**



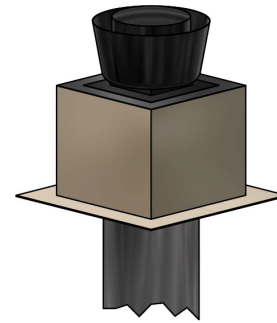
ISOMETRIC VIEW



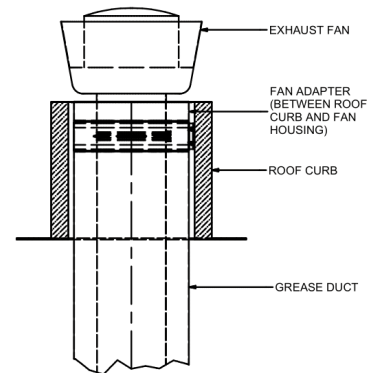
## ROOF TRANSITIONS

The grease duct shall terminate with a minimum of 10 ft. (3.048 m.) of clearance from the outlet to adjacent buildings, property lines and air intakes. Where space limitations absolutely prevent a 10 ft. (3.048 m) horizontal separation from an air intake, a vertical separation will be acceptable, with the exhaust outlet being a minimum of 3 ft. (0.93 m) above any air intake located within 10 ft. (3.048 m) horizontally.

The exhaust will be directed up and away from the surface of the roof and a minimum of 40" (1.02 m) above the roof surface. Schebler offers a fan adapter (part no. FA) that can be used for connecting the flue to a curb-mounted rooftop fan.



ISOMETRIC VIEW



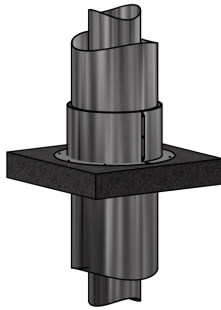
# SYSTEM COMPONENTS

CUSTOM DIMENSIONS ARE AVAILABLE TO SUIT YOUR NEEDS IN EVEN AND ODD SIZES.

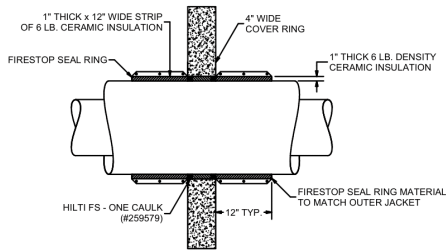
## FIRESTOP PART NO. FS

The Firestop is used when penetrating through a fire-rated floor or wall.

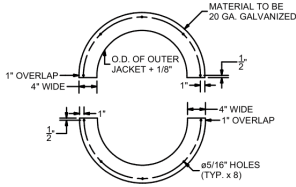
Includes one closure seal ring, two cover ring halves, one 12" wide insulation strip, one 4" wide insulation strip and Hilti Firestop Putty.



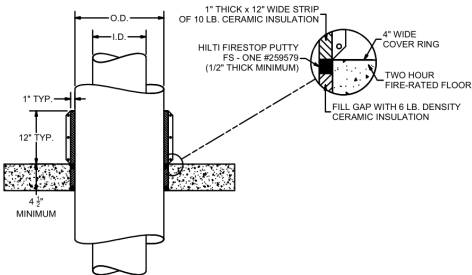
ISOMETRIC VIEW



WALL PENETRATION



COVER RING



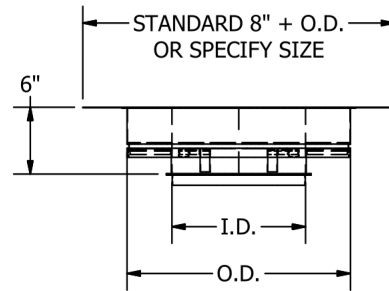
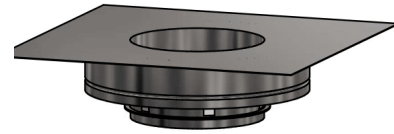
FLOOR PENETRATION

## FAN ADAPTER PART NO. FA

The Fan Adapter is used to attach a grease duct to an exhaust fan or kitchen hood.

Includes one preinstalled gasket, one inner band and one outer band.

Note: Plenum boxes are available for multiple-fan systems.



### PART NO. FA

I.D.	O.D.
6"	12"
8"	14"
10"	16"
12"	18"
14"	20"
16"	22"
18"	24"
20"	26"
22"	28"
24"	30"

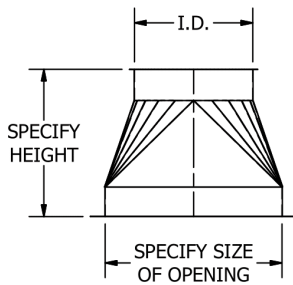
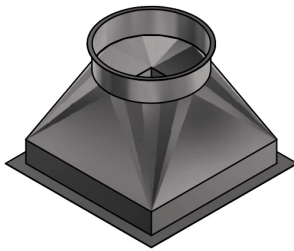
# SYSTEM COMPONENTS

CUSTOM DIMENSIONS ARE AVAILABLE TO SUIT YOUR NEEDS IN EVEN AND ODD SIZES.

## SQUARE-TO-ROUND TRANSITIONS

The Square-to-Round Transitions are used when connecting to appliances with square or rectangular outlets. They can be raw for field welding, flanged for field drilling and bolting or with bolt-patterned flanges.

**Note:** This part will be custom-built/coordinated with the design team for each application.



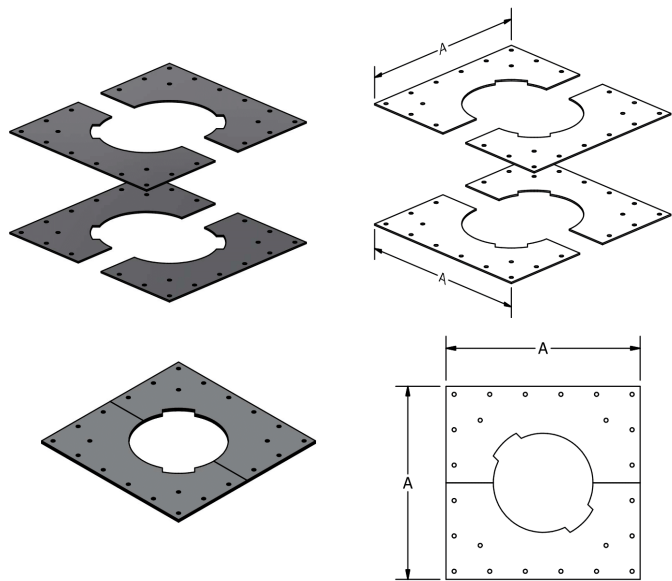
## SUPPORT PLATE

### PART NO. SP

The Support Plate is the primary load-carrying member of the chimney assembly. This part is designed to support (B) (see chart below) feet of vertical chimney section, as well as provide fixed points in breeching runs.

**Includes two half-outer bands.**

**Note:** This part must be placed at the connection of two flue sections.



PART NO. SP		
I.D.	A	B (FT)
6"	16"	178'
8"	18"	173'
10"	20"	169'
12"	22"	164'
14"	24"	159'
16"	26"	155'
18"	28"	150'
20"	30"	145'
22"	32"	141'
24"	34"	136'

# SYSTEM COMPONENTS

CUSTOM DIMENSIONS ARE AVAILABLE TO SUIT YOUR NEEDS IN EVEN AND ODD SIZES.

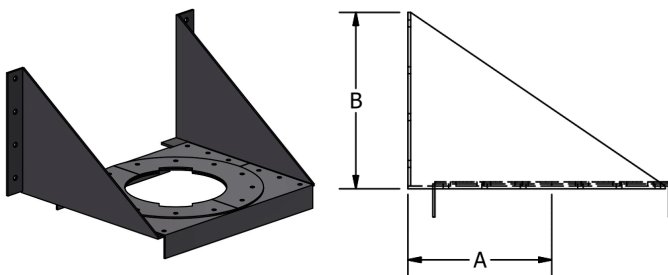
## WALL SUPPORT

### PART NO. WS

The Wall Support is used to provide chimney support along a wall. The wall support will maintain the required clearance to combustible structures when properly installed and can support (C) (see chart below) feet of vertical chimney.

Includes two half-outer bands.

Note: This part must be placed at the connection of two flue sections.

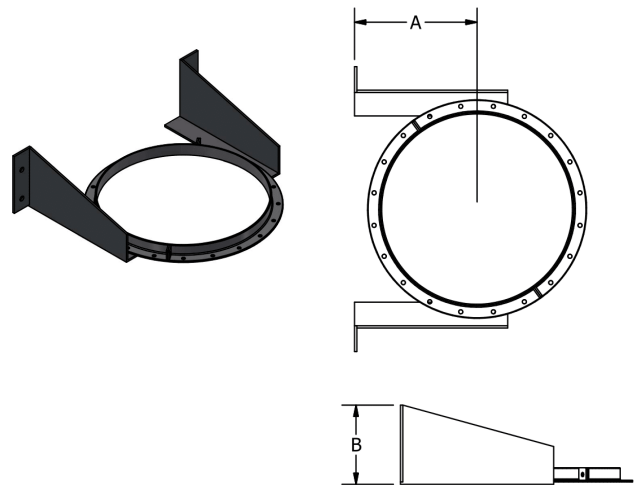


PART NO. WS			
I.D.	A	B	C (FT)
6"	8"	10 5/16"	85'
8"	10"	12 5/8"	84'
10"	11"	13 11/16"	83'
12"	12"	15 1/16"	83'
14"	13"	16 3/8"	81'
16"	14"	17 3/4"	80'
18"	16"	19 3/4"	78'
20"	17"	21 7/16"	75'
22"	19"	23 1/2"	73'
24"	20"	24 13/16"	71'

## WALL GUIDE

### PART NO. WG

The Wall Guide is used to guide long vertical runs placed adjacent to walls. This part maintains proper clearance to combustibles when properly installed.



PART NO. WG		
I.D.	A	B
6"	8"	7"
8"	10"	7 5/8"
10"	11"	7 3/16"
12"	12"	8 1/2"
14"	13"	8 5/8"
16"	14"	9"
18"	16"	9 7/16"
20"	17"	9 3/4"
22"	19"	10 1/4"
24"	20"	10 9/16"

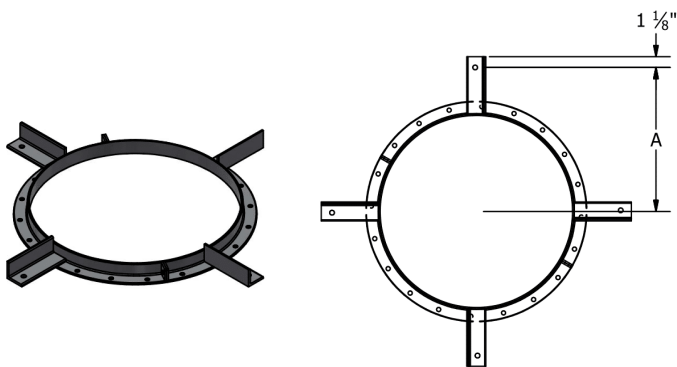
# SYSTEM COMPONENTS

CUSTOM DIMENSIONS ARE AVAILABLE TO SUIT YOUR NEEDS IN EVEN AND ODD SIZES.

## FLOOR/ROOF GUIDE

### PART NO. FRG

The Floor/Roof Guide is used at the penetration of floors and roofs to guide the chimney. This part is designed to absorb lateral loads only. It will not support vertical chimney sections.



PART NO. FRG	
I.D.	A
6"	11 1/8"
8"	12 1/8"
10"	13 3/16"
12"	14 3/16"
14"	15 3/16"
16"	16 3/16"
18"	17 3/16"
20"	18 3/16"
22"	19 3/16"
24"	20 3/16"

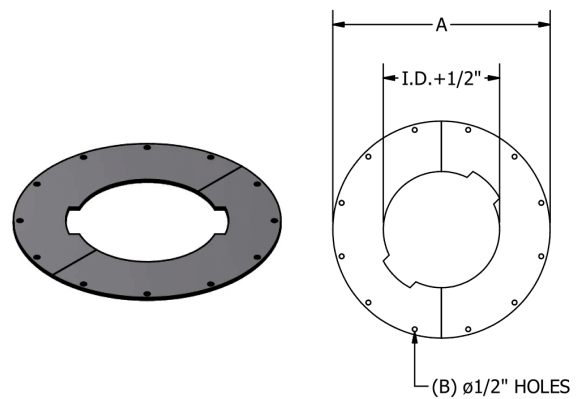
## GUY SECTION

### PART NO. GS

The Guy Section is used when the chimney extends beyond the vertical limits above the roof line. The guy section should be connected to guy wires or a rigid guying structure.

Includes two half-outer bands.

**Note:** This part must be placed at the connection of two flue sections.



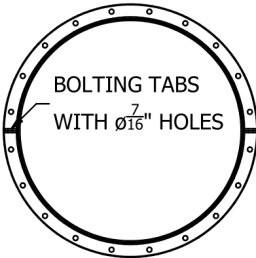
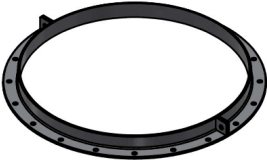
PART NO. GS		
I.D.	A	B
6"	15 3/16"	12
8"	17 3/16"	12
10"	19 3/16"	12
12"	21 3/16"	12
14"	23 3/16"	12
16"	25 3/16"	12
18"	27 3/16"	12
20"	30 3/16"	12
22"	32 3/16"	12
24"	34 3/16"	16

# SYSTEM COMPONENTS

CUSTOM DIMENSIONS ARE AVAILABLE TO SUIT YOUR NEEDS IN EVEN AND ODD SIZES.

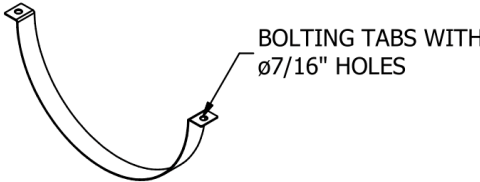
## FULL RING PART NO. FR

The Full Ring is used to guide horizontal and vertical runs. The part is simply bolted around the outer shell and then rigidly connected to the building structure.



## HANGER PART NO. HG

The Hanger is used to support long horizontal runs and is placed under the flue and then supported by rods connecting it to the building structure.



# SYSTEM COMPONENTS

CUSTOM DIMENSIONS ARE AVAILABLE TO SUIT YOUR NEEDS IN EVEN AND ODD SIZES.

## FyreGuard® 3 WEIGHT CHART

Part Description	Part No.	INSIDE DIAMETER (INCHES)									
		6"	8"	10"	12"	14"	16"	18"	20"	22"	24"
29" Straight Section	29S	34 lbs	40	46	51	57	63	69	75	81	87
30 Degree Elbow	30L	16 lbs	19	22	26	30	39	44	49	55	60
45 Degree Elbow	45L	17 lbs	21	26	30	35	47	53	60	67	74
45 Degree Lateral Tee	45LT	44 lbs	56	70	85	101	140	163	187	213	241
47" Straight Section	47S	52 lbs	61	71	80	89	98	107	117	126	135
59" Straight Section	59S	-	76	87	99	110	122	133	144	156	167
90 Degree Elbow	90L	26 lbs	34	44	55	67	95	112	131	151	173
90 Degree Grease Tee	GT	35 lbs	44	53	63	73	99	113	128	144	161
90 Degree Wye	90Y	35 lbs	43	52	62	73	98	112	127	143	159
90 Degree Tee	90T	31 lbs	38	46	55	64	86	98	111	125	139
Adapter Kit Flanged	BKF	9 lbs	10	12	14	16	18	20	21	23	25
Adapter Kits Raw	BKR	6 lbs	7	8	9	10	11	12	13	14	16
Base Drain	BD	25 lbs	30	34	38	42	46	51	55	59	63
Drain Section	DS	24 lbs	28	32	36	40	44	48	52	56	60
Drain Tee Cap	DTC	7 lbs	8	9	10	12	14	15	17	19	22
End Cap	EC	6 lbs	7	8	9	11	13	14	16	18	21
Fan Adapter	FA	20 lbs	23	26	29	33	36	39	43	46	50
Flashing	FL	15 lbs	16	18	19	21	22	24	25	27	29
Floor/Roof Guide	FRG	12 lbs	15	16	17	18	19	24	25	27	27
Full Ring	FR	6 lbs	9	10	11	12	13	18	19	21	21
Guy Section	GS	20 lbs	23	27	30	33	36	40	43	46	50
Half Ring	HR	3 lbs	5	5	5	6	6	9	10	10	11
Horizontal Drain	HD	24 lbs	28	32	36	40	44	48	52	56	60
Nozzle Section	NS	24 lbs	28	32	36	40	44	48	52	56	60
Rain Cap	CC	11 lbs	14	16	19	22	25	28	32	35	39
Rain Collar	RC	5 lbs	6	6	7	7	8	8	9	9	10
Support Plate	SP	31 lbs	36	42	47	53	58	64	70	76	99
Tapered Increaser	TI	28 lbs	32	37	42	47	60	66	71	77	82
Variable Section	VS	52 lbs	61	71	80	89	98	107	117	126	135
Wall Guide	WG	15 lbs	20	21	23	25	27	34	37	40	42
Wall Support	WS	49 lbs	60	70	81	91	103	118	132	149	179

All weights shown above are actual weights; for shipping weights, multiply by 1.25

# SAMPLE SPECIFICATION

## FyreGuard<sup>®</sup> 3

The factory-built modular grease duct system is ETL listed to (UL) 2221 Classification as a **zero clearance** to combustibles, 2-hour fire-rated grease duct. Sections shall be sealed with banded flanges and a silicone rubber gasket.

Inner shell material shall be type 304 stainless steel. Inner shell thickness shall be 0.036" for 5" to 24" diameter systems. All inner shell seams shall be full penetration welded the entire length of the pipe section. Riveted, tack or spot-welded seams are not permitted.

Outer shell material shall be 430 stainless steel with a thickness of 0.034" for 5" to 36" diameter systems. All outer shell seams shall be full penetration welded the entire length of the pipe section. Riveted, tack or spot-welded seams are not permitted.

Between the inner and outer shells, there shall be a minimum 3" of 1,800°F-rated low-conductivity ceramic fiber insulation. The insulation is to be securely attached to the inner shell with steel straps and insulating pins welded to the inner shell. Stainless steel centering clips shall be welded to the outer shell to maintain the 3" spacing and ensure the concentricity of the shells.

Breeching and chimney sections, when installed according to the manufacturer's instructions, shall comply with national safety standards and building codes. Stacks terminating above a roof must terminate as required by code or NFPA 211.

Chimney sections exposed to atmospheric conditions shall be protected by a minimum of one base coat and one finish coat of heat-resistant paint after installation. Outer shells of type 304 or 316 stainless steel need not be painted.

SCHLEIBER

# LIMITED LIFETIME WARRANTY GREASE DUCT APPLICATIONS

The Schebler® Company warrants its FyreGuard® 3 model products installed in grease duct applications against defects in material and workmanship for the entire duration the product is incorporated and used in its original installation when said product is properly installed per Schebler's design and current installation instructions or specifications and is properly connected to a code-compliant commercial kitchen ventilation system for cooking appliances. This warranty is subject to all terms and conditions described in The Schebler Company's Standard Terms and Conditions of Sale.

## THE SCHEBLER COMPANY'S STANDARD TERMS AND CONDITIONS OF SALE.

The Schebler Company will, at its sole discretion, either repair or replace any defective product covered by this Limited Warranty at no charge, provided, however, that Buyer shall be responsible for all costs of removal, shipping and reinstallation of the product.

Furthermore, this warranty does not apply to any system component not manufactured by The Schebler Company and installed as part of the UL system. Repair or replacement of products provided under this Limited Warranty is similarly warranted for the remainder of the original warranty term. This limited warranty is extended solely to the original owner, subject to the satisfaction of the following conditions:

1. System sizing and design have been performed by Schebler personnel, and the design parameters provided to The Schebler Company by the responsible engineer were and are accurately representative of the system's operating conditions.
2. The undamaged components have been correctly installed in accordance with the Schebler system design and sizing and installation instructions published by The Schebler Company.
3. Proper precautions were taken to prevent damage to the grease duct during the cleaning of the system, including not using improper solvents or chemicals, which may also cause damage.
4. The Schebler Company has supplied the entire grease duct system, from the connection to the commercial cooking appliance to the termination of the grease duct.
5. Prior to start-up and thereafter, exposed aluminized steel surfaces were protected with a minimum of one base coat of primer and one finish of heat-resistant paint at all times.

The Schebler Company makes no other warranty, whether expressed or implied. This warranty shall be the sole and exclusive remedy of any Buyer, whether in contract, tort or otherwise. UNDER NO CIRCUMSTANCES SHALL THE SCHEBLER COMPANY BE LIABLE FOR ANY INCIDENTAL OR CONSEQUENTIAL DAMAGE OR COMMERCIAL LOSS OR FROM ANY OTHER LOSS OR DAMAGE EXCEPT AS SET FORTH HEREIN. The Schebler Company assumes no liability for any damages resulting in whole or part from misuse, improper installation or inadequate maintenance of the system or component part thereof, nor assumes or authorizes any other person or entity to assume on its behalf any other liability in connection with the sale of its products.

# FyreGuard® 3

## ZERO-CLEARANCE GREASE DUCT FROM SCHEBLER

FyreGuard® 3 zero-clearance grease ducts mean important advantages for food service fire safety. These include 3" insulation, **zero clearance** to combustibles, 2-hour fire rating and no need for a fire-rated chase. All Schebler prefabricated systems and engineered stacks are known for the value they provide through unmatched dimensional accuracy and detailed draft calculations. These translate into fast project completion, lowered installation costs and satisfied customers.

From hospitals to restaurants, from school cafeterias to residential buildings, quality grease ducts make a world of difference in safety and affordability. Since Schebler was founded in 1895, we have fabricated high-quality, innovative products designed and built with expert craftsmanship and backed by impeccable support. Contact Schebler for more information about our chimney solutions, including help with custom engineering and design solutions.

---

**Made in America by a Team of Dedicated Employee-Owners**  
**FIND YOUR LOCAL SCHEBLER CHIMNEY SYSTEMS DISTRIBUTOR**



5665 Fenno Rd.  
Bettendorf, IA 52722

563.359.0110

[scheblerchimney.com](http://scheblerchimney.com)